

**IN THIS ISSUE**[European Reseller Conference](#)[SolidCAM at the MAZAK Open house](#)[SolidCAM demonstrated New  
iMachining Technology](#)**European Reseller Conference**

This month, the SolidCAM European Reseller Conference took place in Vienna (see photo). It has been a perfect timing as after a deep recession the economy, including the manufacturing sector, is gaining momentum again. The leading indicators of the Organisation for Economic Cooperation and Development (OECD) show stronger signs of recovery in most of the large economies.

[See the latest OECD report...](#)**SolidCAM infos**

- [Watch "What's new in SolidCAM2009" videos...](#)
- [Download "What's new in SolidCAM2009" book...](#)
- [Download "What's new in SolidCAM2009" presentation...](#)
- [Order free Demo CD](#)

Two weeks ago we invited our European Resellers to the Annual European SolidCAM conference in the Hilton Danube Hotel in Vienna. About 40 participants from 16 European countries attended this event, where new product information has been communicated and the European Sales strategy and opportunities have been discussed. Major topics included:

- Successes with SolidCAM 2009
- How to improve the Milling efficiency with the High-Speed Machining ("HSM") and High-Speed Surface machining ("HSS") module
- New vertical markets
- Preview of the upcoming version SolidCAM 2010

Due to the lively interest in the enhanced Milling features of SolidCAM 2009, we would like to invite you to a FREE webinar

- New features of HSM and HSS in SolidCAM 2009 on Oct 13, 11:00 am CET (GMT+1)

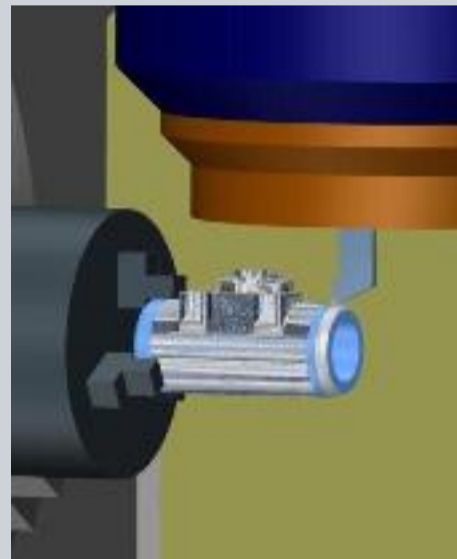
If you want to participate in the webinar, please send an email to [webinar@solidcam.com](mailto:webinar@solidcam.com).

Dear reader, if you are also interested to get a "first touch" with SolidCAM 2010, please visit our booth at the [EMO show](#) in Milano from Oct 5-10. We look forward to meet you there in **Hall 9, Booth A03**.

Emil Somekh  
Managing Director  
SolidCAM Ltd.

**• SolidCAM at the MAZAK Open house**

SolidCAM's reseller in the Netherlands, [CAD2M](#), will demonstrate *SolidCAM + SolidWorks* at the Open House of [MAZAK Netherlands](#). MAZAK's multi-tasking machines, *INTEGREX* and *VARIAXIS*, have been well received by customers all over the world. Equipped with the MAZATROL MATRIX control unit and driven by SolidCAM software, they provide cutting from raw material to finished component in a single machine set-up: "DONE-IN-ONE".



The objective of the Open house is to bring participants up-to-date with all aspects of efficient manufacturing, including SolidCAM software, MAZAK multi-tasking machines, cutter tools and holding systems.

- **Location:**  
Yamazaki Mazak Netherland B.V  
Peppelkade 54  
3992 AK HOUTEN
- **Dates:**  
Tuesday, Oct, 13, 2:00 -8:00 pm and  
Wednesday, Oct 14, 2:00 - 8:00 pm
- **Registration:**  
Send a fax to +31-314-363501 or  
Email to [teun@cad2m.nl](mailto:teun@cad2m.nl)

SolidCAM supports the enhanced functionalities of the *INTEGREX* and *VARIAXIS* machines, thus giving top efficiency and flexibility in production. A benefit of running MAZAK machines with SolidCAM is full machine verification where all the complex machining can be inspected before it runs on the machine, including removal of stock material by turning and milling tools.

**• SolidCAM demonstrated New iMachining Technology**

SolidCAM invited recently important partners to the [Technical Training Center](#) ("TTC") in Brno, Czech Republic. The TTC is equipped with a 5-axis *Hermler C20* machine, *Iscar* cutter tools and the full suite of *SolidCAM + SolidWorks* software. It serves as training center for Multi-axis Machining as well as test site for new cutting strategies developed by SolidCAM.



The main purpose of the event has been the demonstration of SolidCAM's new revolutionary cutting technology "**iMachining**". iMachining includes two cornerstones:

- an Intelligent Morphing Spiral Toolpath for constant contact Machining and
- a Technology Wizard that drives the toolpath

By producing an optimal combination of toolpaths and cutting conditions, iMachining enables cutting through the material with much higher feed rates and larger cut depths. iMachining results in dramatically higher metal removal rates while prolonging tool life.

[View the SolidCAM iMachining overview...](#)