



SolidCAM

The Gold-certified integrated
CAM-Engine for SolidWorks

Newsletter August 2008

IN THIS ISSUE

[New Sales Manager for Denmark](#)

[SolidCAM provides enhanced support for MAZAK](#)

[SolidCAM2008 R12 Launch in India](#)

New Sales Manager for Denmark



SolidCAM Scandinavia has appointed Michael Nathan (see photo) as the new Sales Manager for Denmark. Michael Nathan has nearly 25 years experience in the Sales of Technical Software Solutions to the Danish industry, 10 years of them in the CAD/CAM business in Denmark.

Bo Pedersen, Manager of SolidCAM Scandinavia, states: "The appointment of a Sales Manager is the next step in expanding our business in Scandinavia. Michael Nathan's experience will help us not only to better penetrate the Danish manufacturing industry, but also to set-up our infrastructure for further growth".

Upcoming events

- [IMTS 2008, Chicago \(USA\), Sep 8-13](#)
- [AMB 2008, Stuttgart \(Germany\), Sep 8-13](#)
- [Bi-Mu, Milano \(Italy\), Oct 3-7](#)

SolidCAM infos

- [Start SolidCAM feature tour](#)
- [Order free Demo CD](#)

:: wolfgang.mueller@solidcam.de

:: <http://www.solidcam.com>

:: +49-170-5773814

What the Olympic Games are for the top athletes of the world, is the International Manufacturing Technology show ([IMTS](#)) for the Manufacturing Industry Professionals in North America. IMTS 2008 will take place in Chicago from Sep 8 - 13 and is expected to attract nearly 100,000 visitors and over 1,500 exhibitors from more than 100 different countries.

SolidCAM will present its current version SolidCAM2008 R12 SP1 in [Hall D, Booth 3045](#).

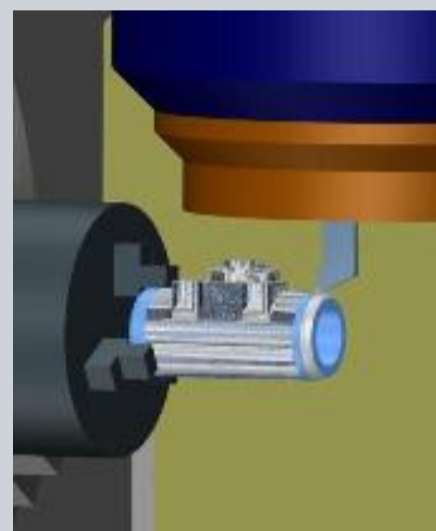
Besides major enhancements in Multi-axis machining (see articles and videos below), we will show the enhanced user interface and how users can be more productive by using automation tools like "Templates".

Dear reader, we would appreciate your visit at our booth on the IMTS show or on our other trade shows in September, mainly the [AMB2008](#) in Stuttgart/Germany.

Emil Somekh
Managing Director
SolidCAM Ltd.

• SolidCAM provides enhanced support for MAZAK

With the enhanced Mill-Turn features in SolidCAM2008 R12, we can now better support the leading Multi-Axis machine tools (e.g. MAZAK). Our customers with MAZAK [Integrex](#) and [Variaxis](#) series will especially benefit from the enhanced capabilities for Mill-Turn, including full machine verification.



This is further strengthened by a close partnership with the MAZAK subsidiaries around the world.

As a result of this collaboration, we are now able to utilize enhanced functionalities for the new *Mazatrol Matrix* control unit. We updated our existing advanced Mazak posts to support functionalities like dynamic compensation G54.2 and workplane rotations G68 for the *Integrex* series, giving top efficiency and flexibility in production. We are currently supporting *Integrex e* and *Integrex IV* series in turning cycles as well as all integrated Milling capabilities. An additional benefit of running MAZAK machines with SolidCAM2008 R12 is full machine verification where all the complex machining can be inspected before it runs on the machine, including removal of stock material by turning and milling tools.

[See Video about full machine verification...](#)

• SolidCAM2008 R12 Launch in India

[Best Engineering Aids & Consultancies](#), our

reseller in Bangalore, organized the launch of SolidCAM2008 R12 in cooperation with SolidCAM India. About 150 visitors have attended.



Vara Kumar, the CEO of Beacon (photo right), stressed in his opening statement the importance of SolidCAM's seamless integration into SolidWorks:

"Most of our SolidWorks customers do more than only design - they manufacture real products and therefore need powerful manufacturing automation tools like SolidCAM". Emil Somekh (CEO of SolidCAM) and Amod Onkar (Country Manager SolidCAM India) presented and demonstrated the new version in detail. For the Indian manufacturing industry, the enhanced operations for 5-axis simultaneous Machining and for Mill-Turn are especially important, as the demand for Multi-axis Machining is rapidly growing e.g. in the Aerospace industry. But also the enhanced Automatic Feature Recognition capabilities like the new Drill Recognition drew the attention of the audience.

[See video introduction about the new Drill Recognition...](#)