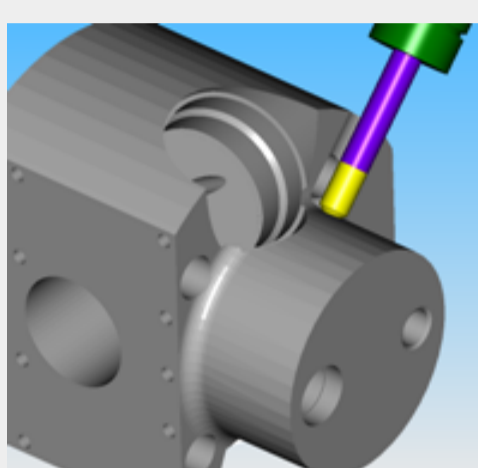


IN THIS ISSUE**[SolidCAM2007 R11.1](#)****[Neumag Saurer relies on SolidCAM +SolidWorks](#)****[Open House in Florence \(Italy\)](#)****[SolidCAM starts Workshops in Scandinavia](#)****SolidCAM2007 R11.1**

The screenshot shows 5-axis indexial Milling with the recently announced version SolidCAM2007 R11.1. A new feature gives the user control over the mapping of the 5-axis vectors of the tool axis, so that the programming of multi-sided parts for 4- and 5-axis machine centers is further facilitated.

Upcoming events

- **[Plastpol, Kielce \(Poland\), May 29 - Jun 1](#)**
- **[SouthMACH 2007, Christchurch \(New Zealand\), May 29-30](#)**
- **[MACH-TOOL, Poznan \(Poland\), Jun 11-14](#)**

SolidCAM infos

- **[Start SolidCAM feature tour](#)**
- **[Order free Demo CD](#)**

Since the release of version SolidCAM2007 R11 in the fall of last year, a lot of our customers are already using the enhanced capabilities in production. The introduction of the new High-Speed Machining module has become a great success. We not only won new customers in the mold and die market, but also many of our users upgraded the existing 3D milling module to achieve more efficient and smoother toolpaths. This translates to increased surface quality, less cutter wear and longer life of the machine tools.

The recently announced update SolidCAM2007 R11.1 provides additional enhancements in all major machining areas including 5 axis indexial and simultaneous Milling, Turning, Turn-Mill and Wirecut. We encourage all our users to utilize the new functions.

Dear reader, we will constantly supply you with new features to help you increasing the shop floor productivity. We hope you enjoy our Newsletter.

Emil Somekh
Managing Director
SolidCAM Ltd.

• [Neumag Saurer relies on SolidCAM +SolidWorks](#)

Saurer Textile is the world market leader for turnkey production lines for the textile industry. Its daughter [Neumag Saurer](#), located in Neumuenster/ Germany, is specialized in all nonwoven processes.

Neumag Saurer is regarded as technology leader for complete solutions for the production of BCF carpet yarns and synthetic staple fibers.

The fabrication of the customized production lines requires the machining of a lot of precise and complex parts, ranging from a weight of 50 grams up to 10 tons. About 220 of the 415 employees in Neumuenster utilize their knowhow to manufacture these parts on 24 different CNC machine tools centers. For the CAD/CAM-Programming, meanwhile seven seats of the combined "SolidWorks+SolidCAM" solution have been installed. According to *Neumag Saurer*, the strenghts of SolidCAM are "the sucesssful integration in SolidWorks as well as the ease-of-use and the powerful G-Code generation".

**[Read more about it...](#)****• [Open House in Florence \(Italy\)](#)**

SolidCAM's reseller [SoluzioniCAM](#) is presenting SolidCAM2007 at an Open House at Vulcan Solutions, one of the Italian SolidWorks Resellers. The event will be held at the *Vulcan Solutions* office in Florence.

- Location: Via Livorno 54, Firenze
- Date: Friday, May 18
- Time: 9:00 - 18:00



In the morning the capabilities of SolidCAM in 2.5D and 3D Milling will be highlighted. This includes also High-Speed machining and 5-axis indexial and simultaneous machining. The afternoon is reserved for a demonstration of the Turning and the combined Turning/Milling module. The experts from SoluzioniCAM are available to answer all questions around the best implementation of *SolidCAM +SolidWorks*. For further information about this event, please contact the [registration office](#).

• [SolidCAM starts Workshops in Scandinavia](#)

SolidCAM Scandinavia is now starting a series of free hands-on seminars about *SolidWorks+SolidCAM*. For the first one, SolidCAM will team up with the [CEU Herning](#), an Educational Center located in the middle of Jutland/ Denmark. CEU Herning has already installed SolidWorks and SolidCAM in their vocational training facilities and offers CAD/CAM courses for Industrial technicians.



- Location: Lillelundvej 21, DK-7400 Herning
- Date: Thursday, June 7, 2007
- Time: 9:00 - 15:30

Bo Pedersen, Manager of SolidCAM Scandinavia (*see photo*) stated: " We will run the One-day seminar in the Training Center of our partner CEU Herning. In the morning we will create a complete 3D part file with SolidWorks. In the afternoon, we will apply various roughing and finishing strategies of SolidCAM2007 to generate the corresponding toolpaths. At the end of the seminar, the participants will see how easy the generation of reliable machine programs can be."

[Contact information...](#)

:: wolfgang.mueller@solidcam.de

:: <http://www.solidcam.com>

:: +49-170-5773814